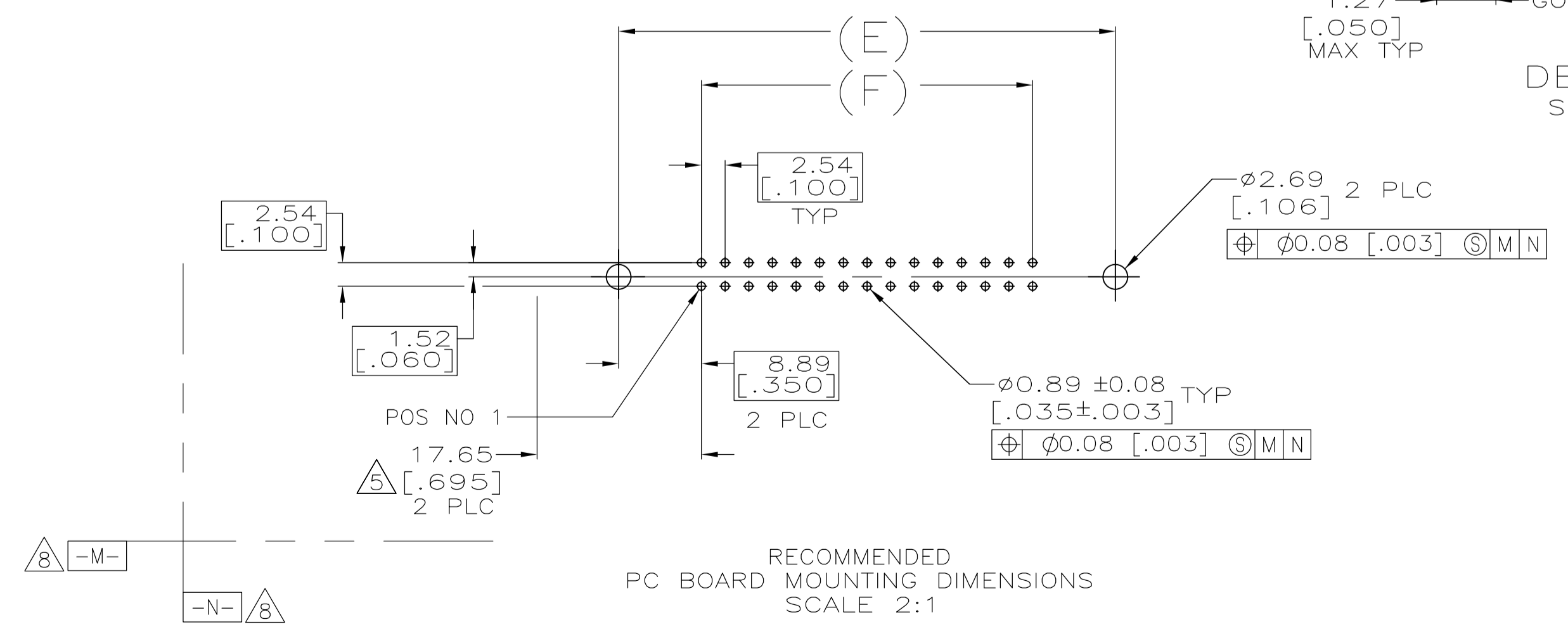
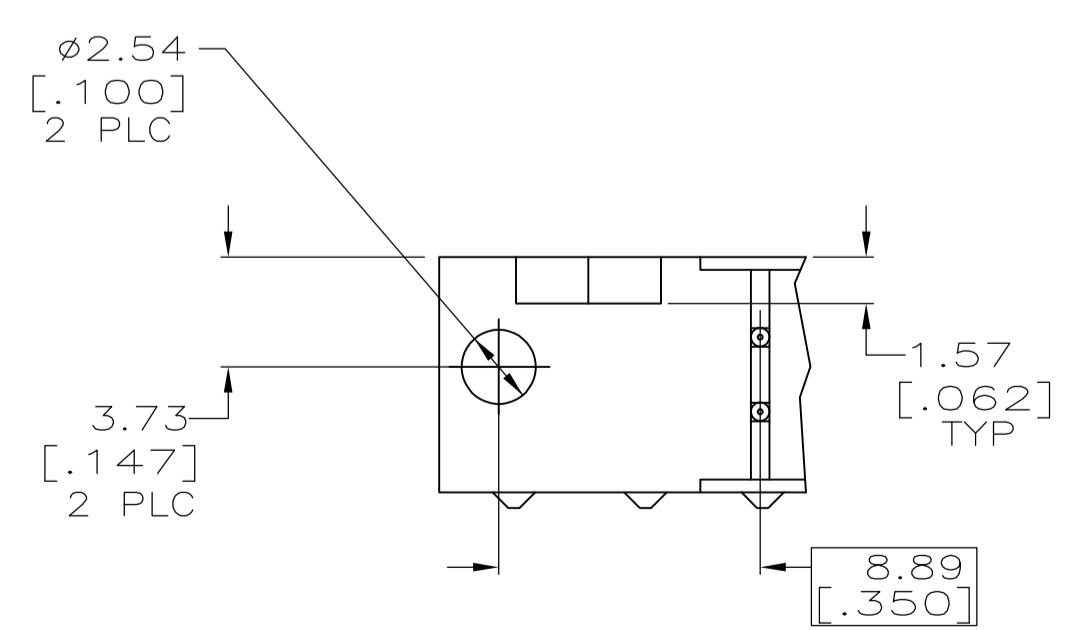
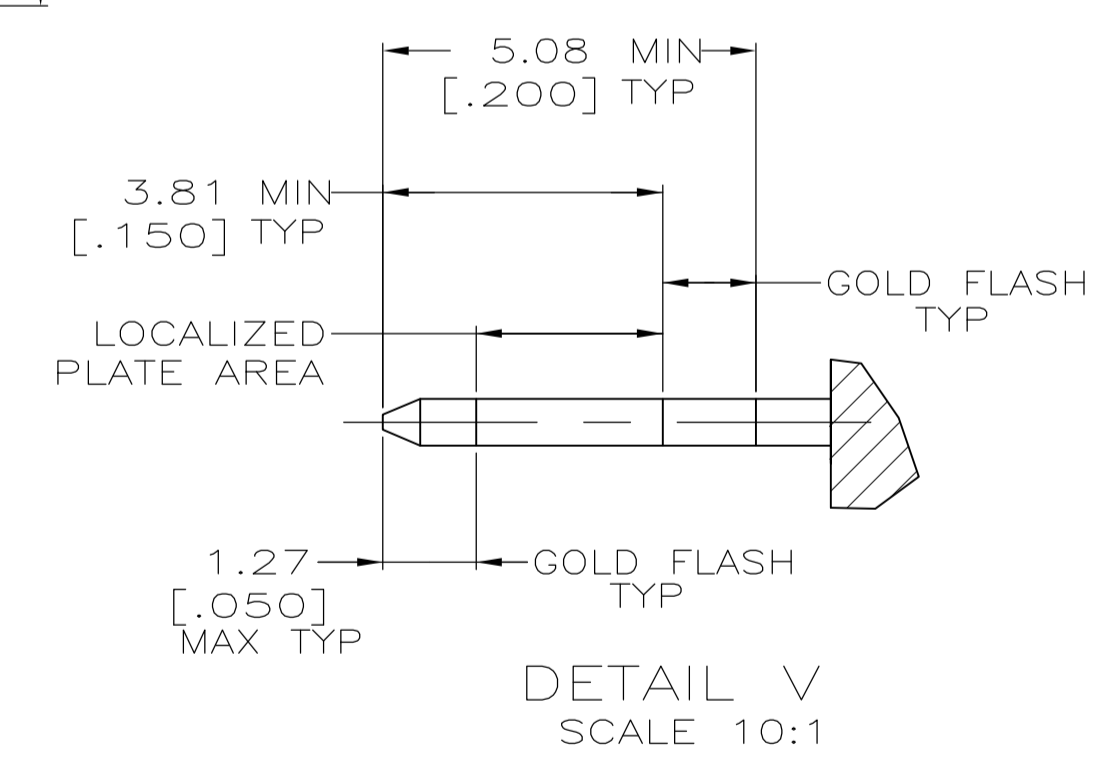
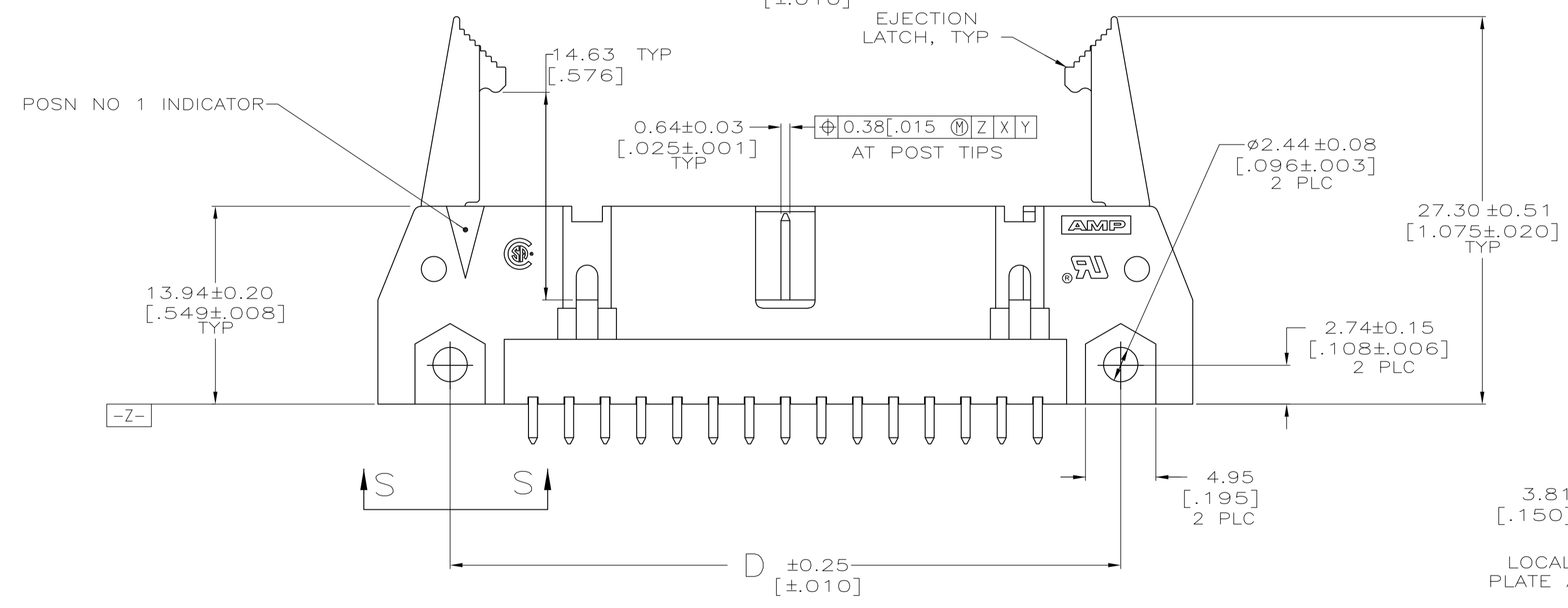
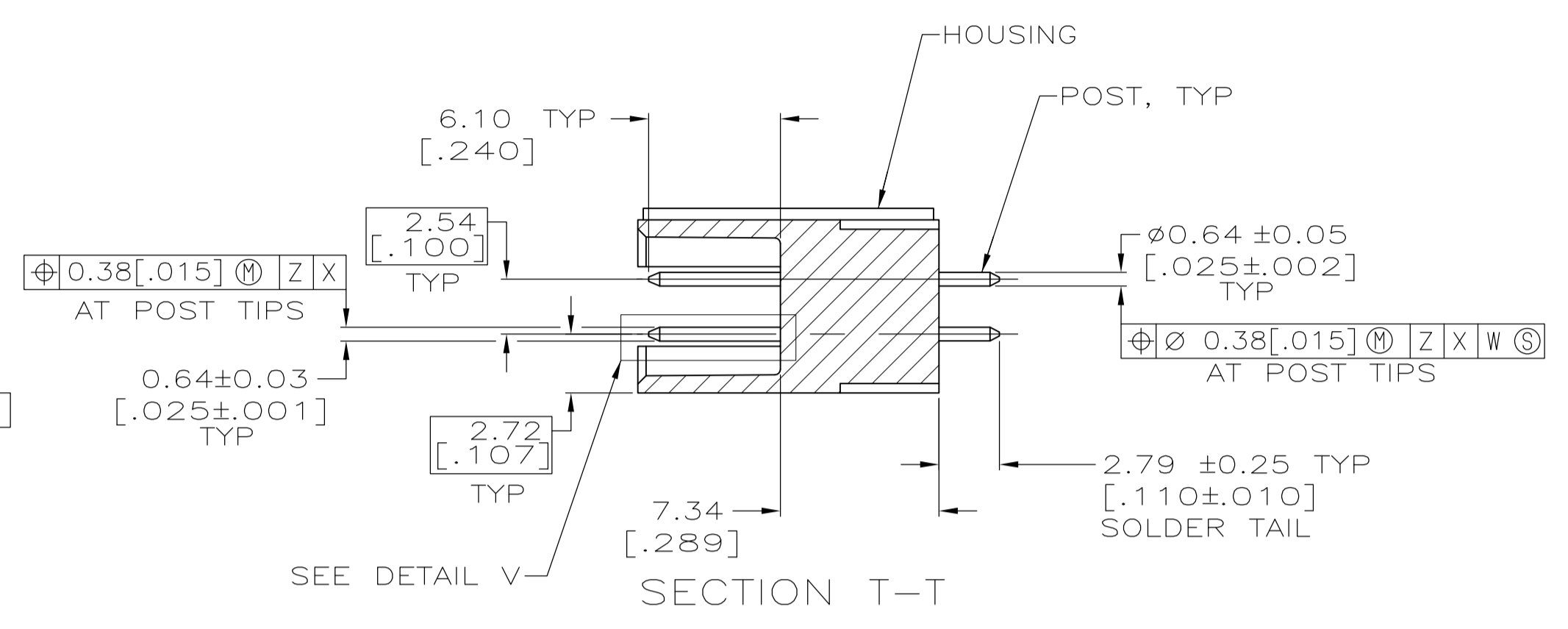
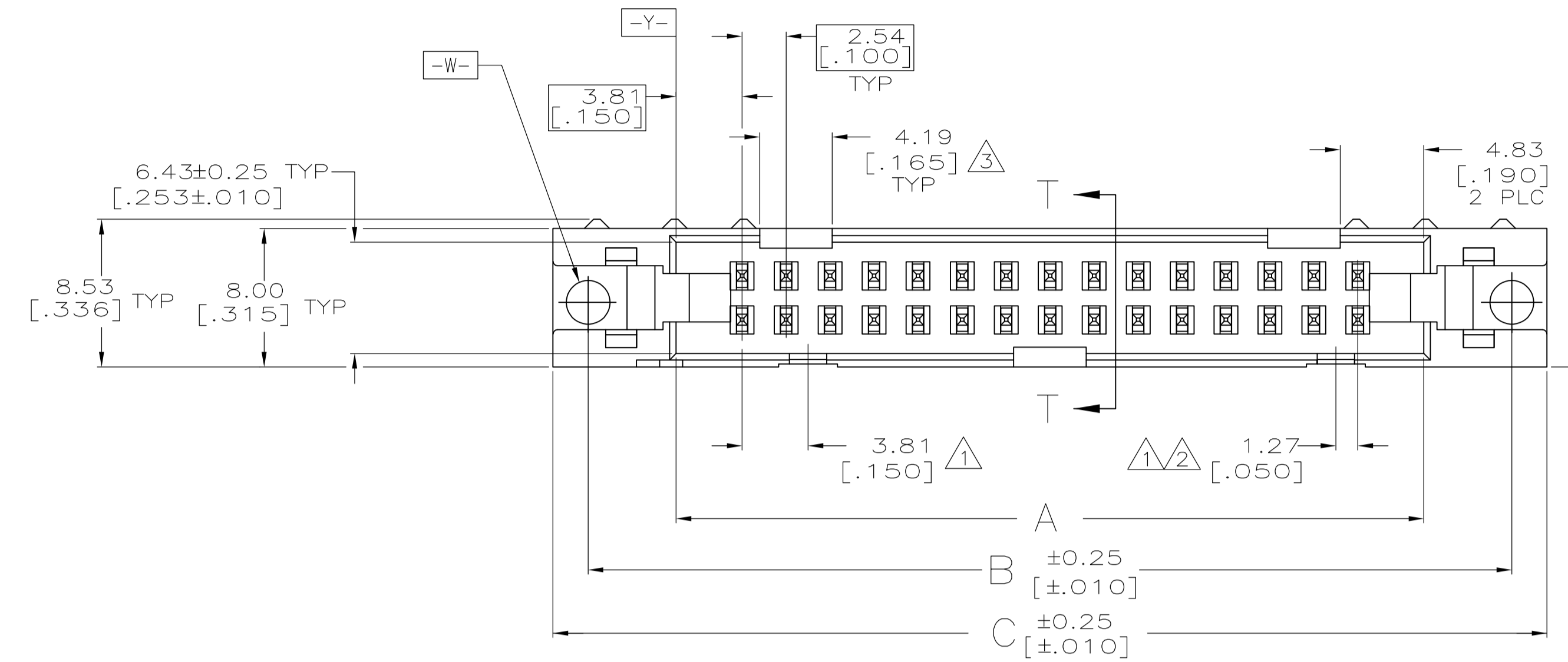


EJECTION LATCHES OMITTED IN THIS VIEW FOR CLARITY



SEE SHEET 2 FOR TABLE & NOTES

THIS DRAWING IS A CONTROLLED DOCUMENT.		DWN L. VARELA - DOCK5 01-07-05	 Tyco Electronics Corporation Harrisburg, PA 17105-3608
DIMENSIONS: mm [INCHES]		CHK S. BOLASH 01-07-05	
TOLERANCES UNLESS OTHERWISE SPECIFIED:		APVD M. WALMSLEY 01-07-05	NAME HEADER ASSY, UNIVERSAL, AMP-LATCH
0 PLC ± -	1 PLC ± -	PRODUCT SPEC 108-40018	SIZE A1
2 PLC ± 0.13[.005]	3 PLC ± -	APPLICATION SPEC	CAGE CODE 5499206
4 PLC ± -	ANGLES ± -	WEIGHT	DRAWING NO 108-40018
MATERIAL	FINISH	CUSTOMER DRAWING	RESTRICTED TO
SCALE 4:1		SHEET 1 OF 2	REV D

- ① COORDINATE DIMENSION APPLIES FROM BASIC LOCATION.
- ② 10 AND 14 POSITION SIZES CONTAIN ONLY ONE SLOT FOR SNAP-IN POLARIZER (MILITARY POLARIZATION) LOCATED AS SHOWN.
- ③ 10 POSITION SIZES CONTAIN ONLY ONE SLOT FOR DUAL POLARIZATION, LOCATED AS SHOWN.
- 4. RECOMMENDED PRINTED CIRCUIT BOARD THICKNESS IS 1.57 [.062].
- ⑤ DISTANCE REQUIRED BY EJECTION LATCHES IN THE OPEN POSITION.
- ⑥ HOUSING & LATCHES: GLASS FILLED NYLON OR POLYESTER, UL 94V-0 RATED, SEE TABLE FOR COLOR. POSTS: PHOS BRONZE OR BRASS.
- ⑦ POSTS: GOLD FLASH OVER PALLADIUM-NICKEL PLATE, 0.76 μ m[.000030] MIN TOTAL ON THE LOCALIZED PLATE AREA, 2.54 μ m[.000100] MIN TIN PLATE ON THE SOLDER-TAIL, 1.27 μ m[.000050] MIN NICKEL UNDERPLATE ON THE ENTIRE POST.
 -OR-
 0.76 μ m[.000030] MIN GOLD PLATE ON THE LOCALIZED PLATE AREA, 2.54 μ m[.000100] MIN TIN PLATE ON THE SOLDER-TAIL, 1.27 μ m[.000050] MIN NICKEL UNDERPLATE ON THE ENTIRE POST.
- ⑧ DATUMS -M- & -N- TO BE ESTABLISHED BY CUSTOMER.

		53.34	71.12	65.02	75.18	71.12	60.96		
	BLUE	[2.100]	[2.800]	[2.560]	[2.960]	[2.800]	[2.400]	44	3-5499206-3
OBSOLETE	BLUE	[3.100]	[3.800]	[3.560]	[3.960]	[3.800]	[3.400]	64	3-5499206-2
	BLUE	[2.900]	[3.600]	[3.360]	[3.760]	[3.600]	[3.200]	60	3-5499206-1
	BLUE	[2.400]	[3.100]	[2.860]	[3.260]	[3.100]	[2.700]	50	3-5499206-0
	BLUE	[1.900]	[2.600]	[2.360]	[2.760]	[2.600]	[2.200]	40	2-5499206-9
	BLUE	[1.600]	[2.300]	[2.060]	[2.460]	[2.300]	[1.900]	34	2-5499206-8
OBSOLETE	BLUE	[1.400]	[2.100]	[1.860]	[2.260]	[2.100]	[1.700]	30	2-5499206-7
	BLUE	[1.200]	[1.900]	[1.660]	[2.060]	[1.900]	[1.500]	26	2-5499206-6
	BLUE	[.900]	[1.600]	[1.360]	[1.760]	[1.600]	[1.200]	20	2-5499206-4
	BLUE	[.700]	[1.400]	[1.160]	[1.560]	[1.400]	[1.000]	16	2-5499206-3
	BLUE	[.600]	[1.300]	[1.060]	[1.460]	[1.300]	[.900]	14	2-5499206-2
	BLUE	[.400]	[1.100]	[.860]	[1.260]	[1.100]	[.700]	10	2-5499206-1
	BLACK	[3.100]	[3.800]	[3.560]	[3.960]	[3.800]	[3.400]	64	1-5499206-2
	BLACK	[2.900]	[3.600]	[3.360]	[3.760]	[3.600]	[3.200]	60	1-5499206-1
	BLACK	[2.400]	[3.100]	[2.860]	[3.260]	[3.100]	[2.700]	50	1-5499206-0
	BLACK	[1.900]	[2.600]	[2.360]	[2.760]	[2.600]	[2.200]	40	5499206-9
	BLACK	[1.600]	[2.300]	[2.060]	[2.460]	[2.300]	[1.900]	34	5499206-8
	BLACK	[1.400]	[2.100]	[1.860]	[2.260]	[2.100]	[1.700]	30	5499206-7
	BLACK	[1.200]	[1.900]	[1.660]	[2.060]	[1.900]	[1.500]	26	5499206-6
	BLACK	[1.100]	[1.800]	[1.560]	[1.960]	[1.800]	[1.400]	24	5499206-5
	BLACK	[.900]	[1.600]	[1.360]	[1.760]	[1.600]	[1.200]	20	5499206-4
	BLACK	[.700]	[1.400]	[1.160]	[1.560]	[1.400]	[1.000]	16	5499206-3
	BLACK	[.600]	[1.300]	[1.060]	[1.460]	[1.300]	[.900]	14	5499206-2
	BLACK	[.400]	[1.100]	[.860]	[1.260]	[1.100]	[.700]	10	5499206-1
HOUSING AND LATCHES COLOR		F	E	D	C	B	A	NO OF POS	PART NUMBER

THIS DRAWING IS A CONTROLLED DOCUMENT.

DIMENSIONS: mm [INCHES]	TOLERANCES UNLESS OTHERWISE SPECIFIED:	DWN J. GERACE	15SEP05	Tyco Electronics Corporation Harrisburg, PA 17105-3608
0 PLC ± -	1 PLC ± -	CHK S. BOLASH	15SEP05	
2 PLC ± 0.13[.005]	3 PLC ± -	APVD M. WALMSLEY	15SEP05	NAME
4 PLC ± -	ANGLES ± -	PRODUCT SPEC		108-40018
		APPLICATION SPEC		
MATERIAL SEE SHEET 1	FINISH SEE SHEET 1	WEIGHT		SIZE CAGE CODE DRAWING NO RESTRICTED TO
				A1 00779 C=5499206
		CUSTOMER DRAWING		SCALE SHEET OF 2 REV D